

BALDOR® • RELIANCE 

Product Information Packet

FPM2534T-2/4

30HP,3510RPM,3PH,60HZ,284TS,3936M,ODP,F1

Part Detail							
Revision:	G	Status:	PRD/A	Change #:		Proprietary:	No
Type:	AC	Elec. Spec:	39WGX943	CD Diagram:	CD0104	Mfg Plant:	
Mech. Spec:	39R082	Layout:	39LYR082	Poles:	02	Created Date:	01-11-2016
Base:	RG	Eff. Date:	08-22-2018	Leads:	12#10		

Specs			
Catalog Number:	FPM2534T-2/4	Insulation Class:	F
Enclosure:	ODP	Inverter Code:	Not Inverter
Frame:	284TS	KVA Code:	G
Frame Material:	Steel	Lifting Lugs:	Standard Lifting Lugs
Output @ Frequency:	30.000 HP @ 60 HZ	Locked Bearing Indicator:	No Locked Bearing
Synchronous Speed @ Frequency:	3600 RPM @ 60 HZ	Motor Lead Quantity/Wire Size:	12 @ 10 AWG
Voltage @ Frequency:	200.0 V @ 60 HZ	Motor Lead Exit:	Ko Box
	400.0 V @ 60 HZ	Motor Lead Termination:	Flying Leads
XP Class and Group:	None	Motor Type:	3936M
XP Division:	Not Applicable	Mounting Arrangement:	F1
Agency Approvals:	UL	Power Factor:	89
	CSA EEV	Product Family:	Fire Pump Motor
Auxillary Box:	No Auxillary Box	Pulley End Bearing Type:	Ball
Auxillary Box Lead Termination:	None	Pulley Face Code:	Standard
Base Indicator:	Rigid	Pulley Shaft Indicator:	Standard
Bearing Grease Type:	Polyrex EM (-20F +300F)	Rodent Screen:	None
Blower:	None	Shaft Extension Location:	Pulley End
Current @ Voltage:	40.000 A @ 400.0 V	Shaft Ground Indicator:	No Shaft Grounding

	80.000 A @ 200.0 V	Shaft Rotation:	Reversible
Design Code:	B	Shaft Slinger Indicator:	No Slinger
Drip Cover:	No Drip Cover	Speed Code:	Single Speed
Duty Rating:	CONT	Motor Standards:	NEMA
Electrically Isolated Bearing:	Not Electrically Isolated	Starting Method:	Wye Start - Delta Run
Feedback Device:	NO FEEDBACK	Thermal Device - Bearing:	None
Front Face Code:	Standard	Thermal Device - Winding:	None
Front Shaft Indicator:	None	Vibration Sensor Indicator:	No Vibration Sensor
Heater Indicator:	No Heater	Winding Thermal 1:	None
		Winding Thermal 2:	None

Nameplate NP3454L											
CAT.NO.	FPM2534T-2/4			CUST P/N				I.P.	23		
SPEC.	39R082X943H2			SER.NO.				FRAME	284TS		
HZ	60	HP	30	RPM	3510	HZ		HP		RPM	
VOLTS	200/400			CODE	G	VOLTS				CODE	
AMPS	80/40			DES	B	AMPS				DES	
EFF	91	SER.F.	1.15	PF	89	EFF				SER.F.	
RATING	40C AMB-CONT			DE BRG	6311	GREASE	POLYREX EM				
BLANK				ODE BRG	6208	MTR. WT.	224				
				CLASS	F	PH	3				
				ENCL	ODP	CC	010A				
HTR-VOLTS		HTR-AMPS		HTR-WATTS							

Parts List		
Part Number	Description	Quantity
SA313332	SA 39R082X943H2	1.000 EA
RA300789	RA 39R082X943H2	1.000 EA
HA6361A01	LIFTING LUG FOR 37, 39 & 40 FRAME ZINC	2.000 EA
09CB2800A01	ADAPTER MACH FOR 09CB3000 AND 10CB3000	1.000 EA
19XW3118A08	.31-18 X .50 HEX WASHER HEAD TAPTITE II	2.000 EA
HW1001A31	LOCKWASHER 5/16, ZINC PLT.591 OD, .319 I	2.000 EA
09CB3002SP	CB W/1.38 LEAD HOLE FOR 37, 39, 307 & 30	1.000 EA
10XN2520K12	1/4-20 X.75 GRD 5	4.000 EA
HW1001A25	LOCKWASHER 1/4, ZINC PLT .493 OD, .255 I	4.000 EA
WD1000B16	T&B CX70TN OR L70P TERMINAL LUG	1.000 EA
59XW2520G07	.25-20X.44,HEX SER WSHR,TAPTITE 2,GREEN	1.000 EA
39EP3200A01SP	FR/PU ENDPLATE, MACH	1.000 EA
HW5100A08	W3118-035 WVY WSHR (WB)	1.000 EA
39EP3202A01	ENDPLATE MACH	1.000 EA
XY3816A12	3/8-16 FINISHED NUT	8.000 EA
09CB3501SP	CONDUIT BOX LID FOR 09CB3001 & 09CB3002	1.000 EA
51XW2520A12	.25-20 X .75, TAPTITE II, HEX WSHR SLTD	2.000 EA
HW2501G17	KEY, 3/8 SQ X 1.875	1.000 EA
LB1115N	LABEL,LIFTING DEVICE (ON ROLLS)	1.000 EA
39AD2002A01	BAFFLE PLATE 39 OPEN, SLOTTED BAND MTRS	1.000 EA
HW4500A03	GREASE FITTING, .125 NPT 1610(ALEMITE) 8	1.000 EA
HW4500A20	1/8NPT SL PIPE PLUG	1.000 EA
HA4051A00	PLASTIC CAP FOR GREASE FITTING	1.000 EA
MJ1000A02	GREASE, MOBIL POLYREX EM - 124047	0.030 LB

Parts List (continued)		
Part Number	Description	Quantity
39AD2002A01	BAFFLE PLATE 39 OPEN, SLOTTED BAND MTRS	1.000 EA
HW4500A03	GREASE FITTING, .125 NPT 1610(ALEMITE) 8	1.000 EA
HW4500A20	1/8NPT SL PIPE PLUG	1.000 EA
HA4051A00	PLASTIC CAP FOR GREASE FITTING	1.000 EA
HA3154A03	STUD, 3/8-16 X 17.75	4.000 EA
MG1025R44	WILKOFAS, 784.109, CARMINE RED #3002	0.050 GA
85XU0407S04	4X1/4 U DRIVE PIN STAINLESS	2.000 EA
LB1119N	WARNING LABEL	1.000 EA
LC0104A01	CONNECTION DIAGRAM	1.000 EA
NP3454L	ALUM FIRE PUMP MOTOR(LEGACY/BALDOR ONLY)	1.000 EA
40PA1000	PACKAGING GROUP	1.000 EA
MN416A01	TAG-INSTAL-MAINT no wire (1200/bx) 3/19	1.000 EA

AC Induction Motor Performance Data

Record # 54831 - Typical performance - not guaranteed values

Winding: 39WGX943-R001	Type: 3936M	Enclosure: OPSB
-------------------------------	--------------------	------------------------

Nameplate Data				400 V, 60 Hz: High Voltage Connection	
Rated Output (HP)	30			Full Load Torque	44.9 LB-FT
Volts	200/400			Start Configuration	direct on line
Full Load Amps	80/40			Breakdown Torque	157 LB-FT
R.P.M.	3510			Pull-up Torque	48 LB-FT
Hz	60	Phase	3	Locked-rotor Torque	67.8 LB-FT
NEMA Design Code	B	KVA Code	G	Starting Current	248 A
Service Factor (S.F.)	1.15			No-load Current	12 A
NEMA Nom. Eff.	91	Power Factor	89	Line-line Res. @ 25°C	0.287 Ω
Rating - Duty	40C AMB-CONT			Temp. Rise @ Rated Load	37°C
S.F. Amps				Temp. Rise @ S.F. Load	46°C
				Locked-rotor Power Factor	30.4
				Rotor inertia	0.92 LB-FT ²

Load Characteristics 400 V, 60 Hz, 30 HP

% of Rated Load	25	50	75	100	125	150	S.F.
Power Factor	61	81	87	89	89	88	89
Efficiency	89.3	92.1	92.4	91.5	90.2	88.5	90.7
Speed	3578	3556	3533	3509	3482	3451	3493
Line amperes	15.1	21.9	30.4	39.6	49.7	61.1	45.7

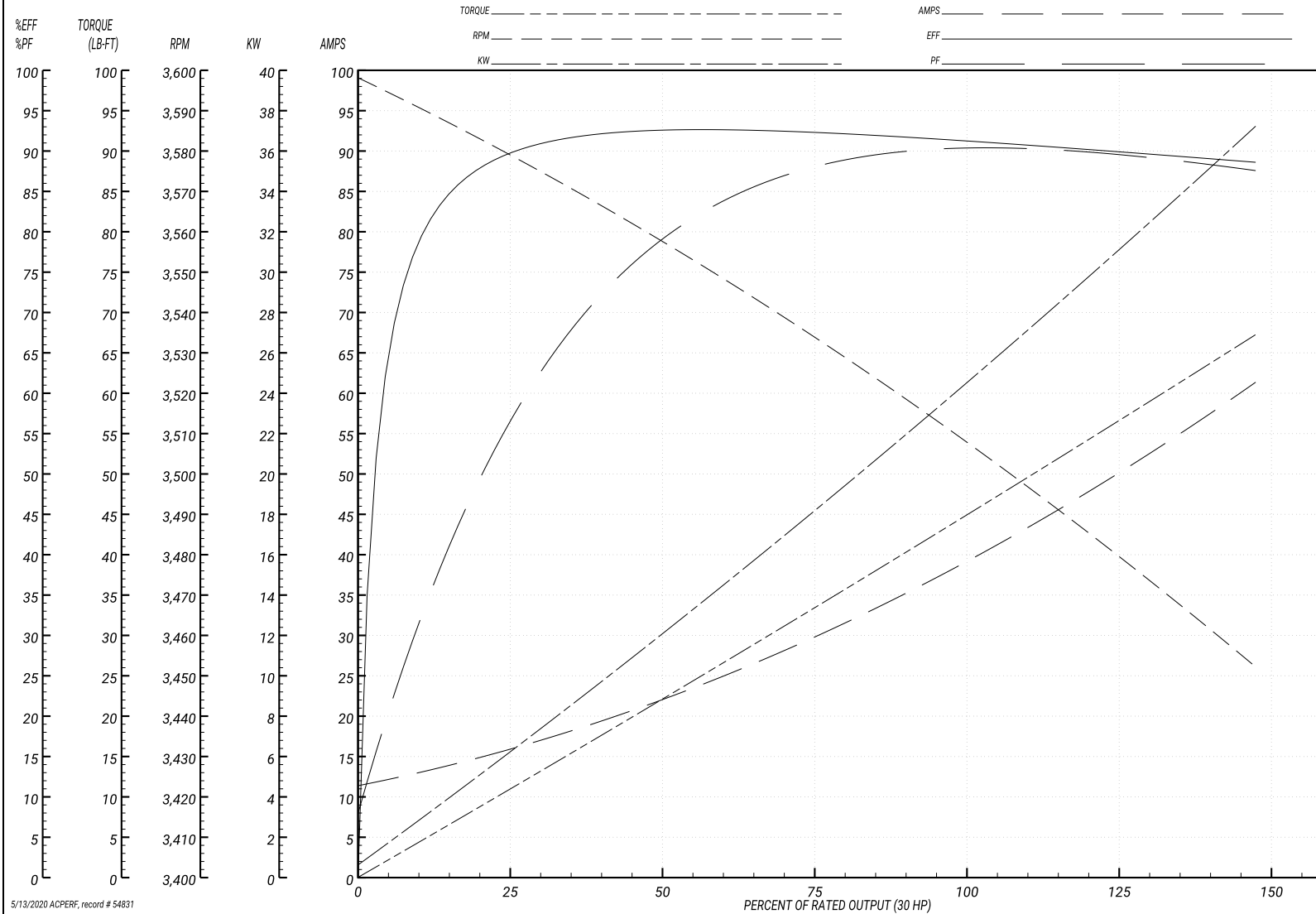
Performance Graph at 400V, 60Hz, 30.0HP Typical performance - Not guaranteed values

ABB Motors and Mechanical Inc.

WINDING # 39WG943

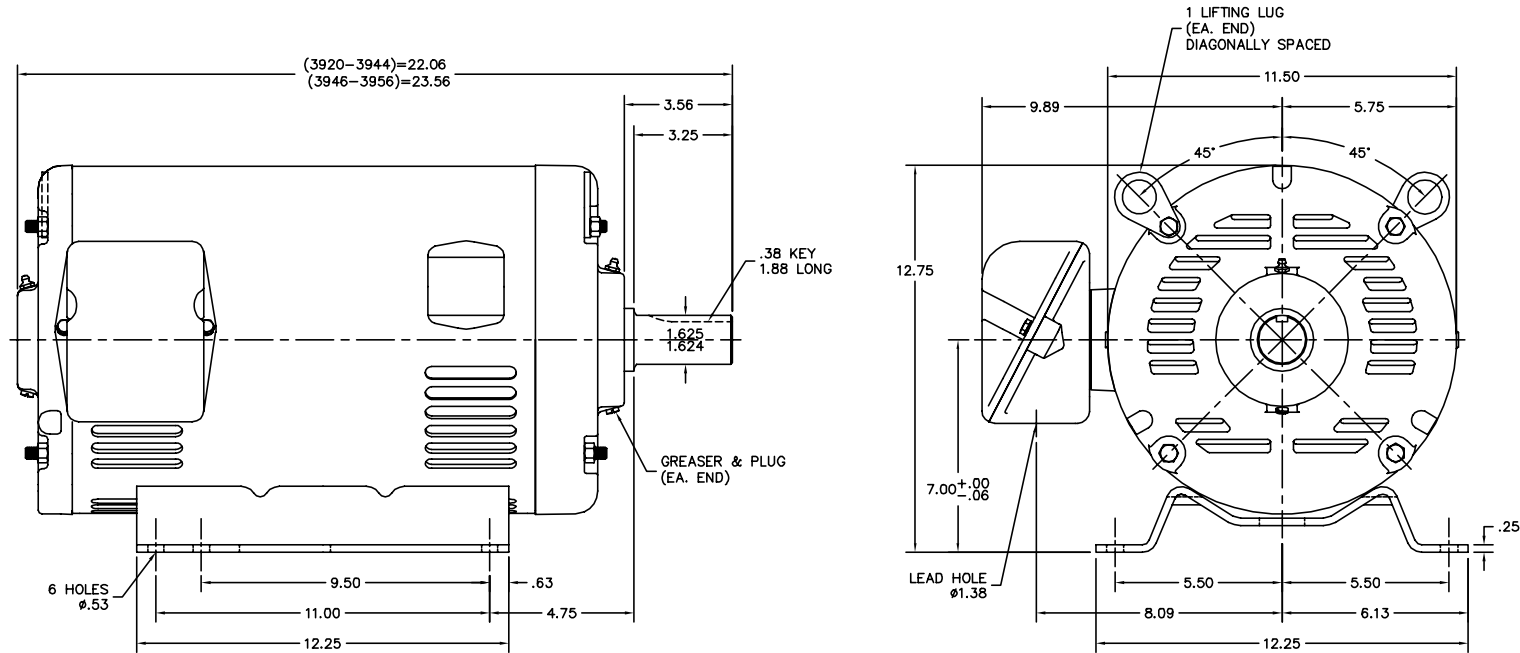
Typical performance - not guaranteed values.

30 HP 3 PH 60 HZ 3510 RPM 400 V 3936M
 TORQUES(LB-FT): PO=157 PU=48 LR=67.8 LRA=248



5/13/2020 ACPERF, record # 54831

39LYR082



CUSTOMER IS RESPONSIBLE FOR DETERMINING THAT MOTOR PERFORMANCE IS SUITABLE IN THE APPLICATION.

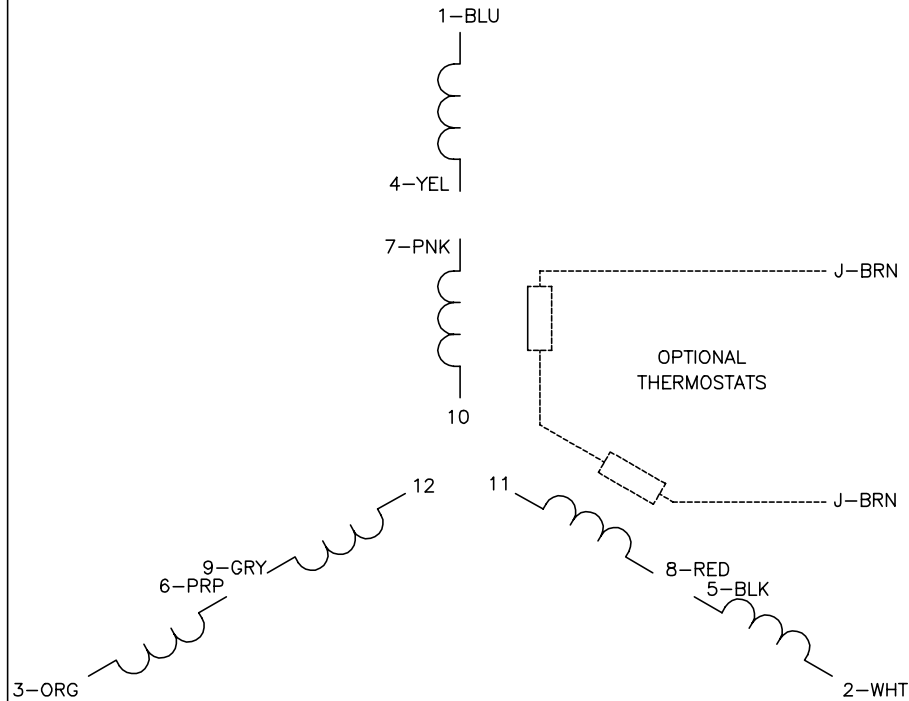
REV. DESC: NEW				TDR: 255700
REV. LTR: -	BY: DLS	REVISED: 08:14:45 11/21/2001		
FILE: AAA00090505				REF: 39LYR082
MTL: -				

BALDOR ELECTRIC Co.

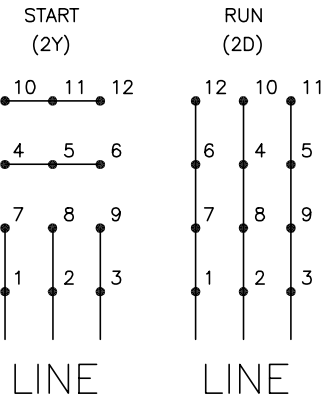
HORZ OPSB 284-6TS W/09CB3002

39LYR082

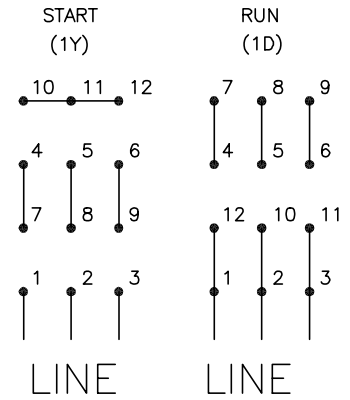
CD0104



LOW VOLTAGE



HIGH VOLTAGE



NOTES:

1. INTERCHANGE ANY TWO LINE LEADS TO REVERSE ROTATION.
2. OPTIONAL THERMOSTATS ARE PROVIDED WHEN SPECIFIED.
3. ACTUAL NUMBER OF INTERNAL PARALLEL CIRCUITS MAY BE A MULTIPLE OF THOSE SHOWN ABOVE.
4. LEAD COLORS ARE OPTIONAL. LEADS MUST ALWAYS BE NUMBERED AS SHOWN.

CD0104

REV. DESC: ADD CLASS CONN00000007		
REV. LTR: D	VERSION: 01	TDR: 000001099922
FILE: \AAA\00008\377	REVISED: 09:02:55 02/19/2019	BY: ENBRIRO
MTL: -	© □	

BALDOR - RELIANCE®

3PH, DV, 12 LEADS, Y START/D RUN

SH 1 of 1

Marketing maintained PDF of MN416:

[MN416?ManNumber=MN416](#)